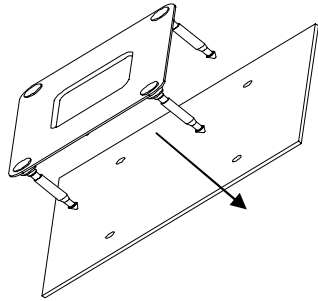


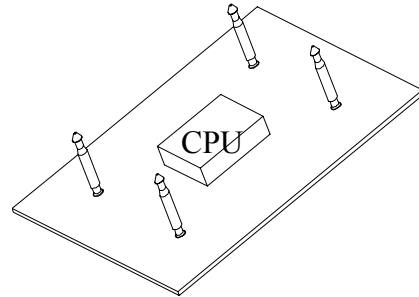
TAISOL ELECTRONICS CO., LTD.

CEP409XXX SERIES COOLER INSTRUCTION

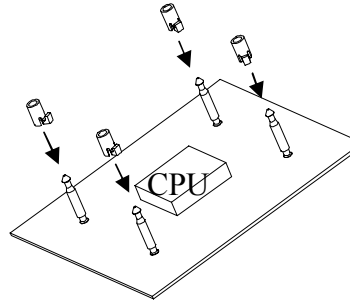
Pic 1:



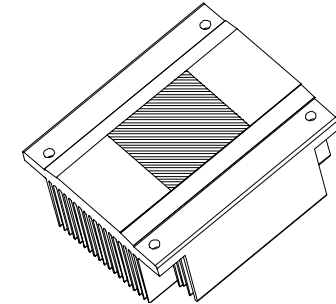
Pic 2:



Pic 3:



Pic4:

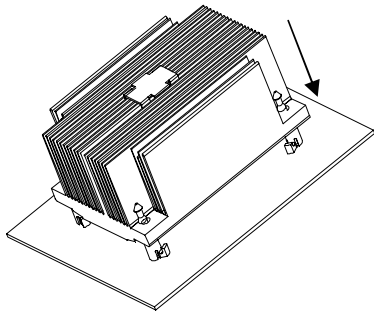


Insert backplate into the M/B holes (Pic.1). Turn the M/B around (Pic.2).

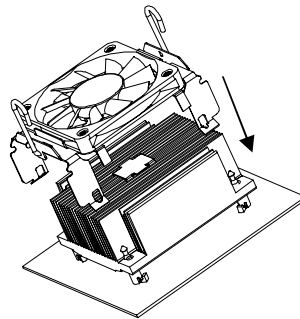
Insert plastic bushion with hook facing upward (Pic.3). Insert 4 plastic bushion links into the metal pole.

Remove the thermal grease seal pad or liner of thermal interface beneath the sink.(Pic. 4)

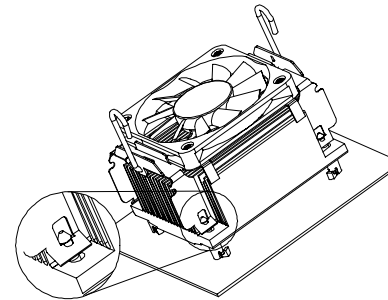
Pic 5:



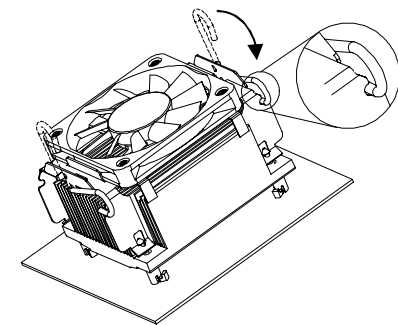
Pic 6:



Pic 7:



Pic 8:



Aim the backplate metal poles and mount with the sink holes (Pic.5).

Adjust both clip ears right upward position (Pic.6), make sure that the metal poles has aimed the fan holder holes. Lay forces on the fan edges with both thumbs and index fingers. Press down until the fan holder snapped on the metal poles (Pic.7).

Use both thumbs to press the clip ears down and make sure four metal poles are locked steady within the fan holder (Pic. 8)